



## Full LED Headlight With Turn Signal & Position Light Bar

*Kenworth T660 (2007-2017)*

- High power 100% LED headlight with LED projector low beam and LED high beam
- Features 12 amber LED turn signal and side marker light, 40 white LED position light bar
- Easy connection, plugs into existing wiring harness
- DOT/SAE, FMVSS 108

<b>32838</b>	<b>Chrome</b>	<b>Driver</b>	1 Pc. / Cbox
<b>32839</b>	<b>Chrome</b>	<b>Passenger</b>	1 Pc. / Cbox
<b>32840</b>	<b>Black</b>	<b>Driver</b>	1 Pc. / Cbox
<b>32841</b>	<b>Black</b>	<b>Passenger</b>	1 Pc. / Cbox

**DOT & SAE**



**100%LED**

### Technical Specification

**Low Beam Application**  
1600 Lumens  
2.7 Amps @ 12VDC

**High Beam Application**  
1600 Lumens  
2.7 Amps @ 12VDC



## Full LED Headlight

**Volvo VN/VNL (2013-2017)**

- High power 100% LED headlight assembly with beautiful plated inner housing
- Dual color LED DRL/position light bar changes from white to amber when turn signal activated
- Easy plug-in design, plugs into existing headlight wiring harness
- For trucks originally equipped with factory installed LED headlights
- DOT/SAE, FMVSS 108

<b>35753</b>	<b>Chrome</b>	<b>Driver</b>	1 Pc. / Cbox
<b>35754</b>	<b>Chrome</b>	<b>Passenger</b>	1 Pc. / Cbox
<b>35755</b>	<b>Black</b>	<b>Driver</b>	1 Pc. / Cbox
<b>35756</b>	<b>Black</b>	<b>Passenger</b>	1 Pc. / Cbox

### Technical Specification

**Low Beam Application**  
1100 Lumens  
1.35 Amps @ 12VDC

**High Beam Application**  
2500 Lumens  
2.7 Amps @ 12VDC



## Black Bezel Headlight Assembly With Turn Signal (Set)

**For Volvo VN (1996-2003)**

- Direct OEM replacement
- Crystal clear lens, perfect for replacing old faded headlights
- Replacement 9007/HB5 bulbs available separately
- Replacement turn signal 1157 bulbs available separately
- 4 pcs. set includes 2 headlights (driver/passenger) & 2 turn signals (driver/passenger)

<b>36018</b>	<b>Headlight Assembly</b>	1 Pc. / Set
--------------	---------------------------	-------------





### 12 LED 4" Round Light (Stop, Turn & Tail) With Heated Lens

#### 12 LED 4" Round Light

- Quality injection molded polycarbonate lens
- Polycarbonate lens sonically sealed to housing to prevent moisture intrusion
- Special heated lens design, increases safety in cold weather environments
- Super bright dual function SMD type LEDs with energy efficient 12V DC electronic
- Rear plastic housing with 3 stripped end wire leads
- Mounts with standard 4" round rubber push-in grommet, item #31515 (not included)
- Single indicator LED light to show when heating function is activated
- DOT & SAE, FMVSS 108

<b>36072</b>	Red LED	Red Lens	S/T/T	1 Pc. / Card
<b>36073</b>	Red LED	Clear Leans	S/T/T	1 Pc. / Card
<b>36074</b>	Amber LED	Amber Lens	Turn	1 Pc. / Card

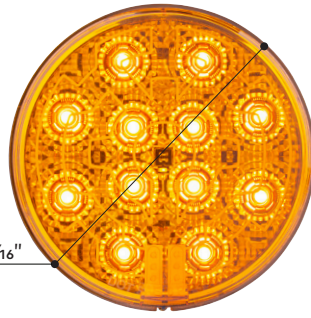
**DOT & SAE**



**36072**



**36073**



**36074**



### COMPETITION SERIES



### 48 LED Competition Series Mini Double Face Light - Amber & Red LED/Amber & Red Lens

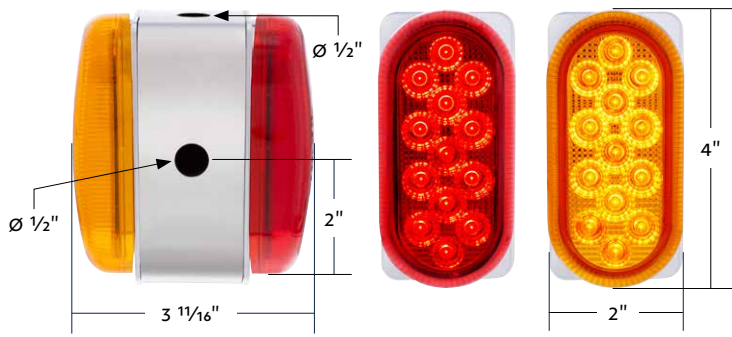
#### Competition Series

- Beautiful chrome plated injection molded plastic
- Epoxy coated, fully sealed electronics designed for 12V DC systems
- 3" square light with 48 bright amber & red LEDs
- Features high, low & single pattern flash warning light function
- Warning light function will override high and low function
- Stud mounted design
- Includes nut, split lock washer, flat washer, and rubber pad for mounting and installation
- IP63 water resistant



<b>36106</b>	48 LED Mini Double Face Light	1 Pc. / Cbox
--------------	-------------------------------	--------------

**IP63**  
WATER RESISTANT



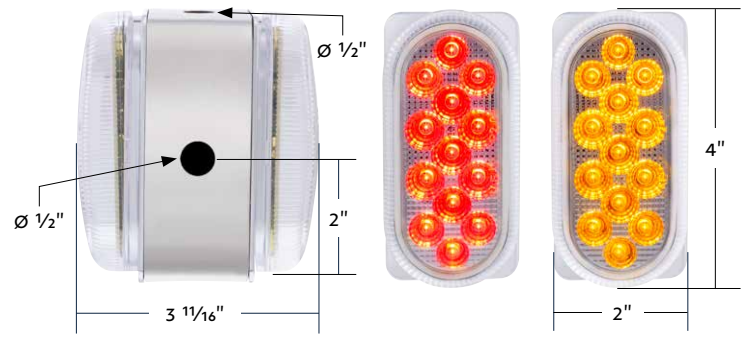
**BACK IN STOCK**

**26 LED Dual Function Reflector Double Face Oval Light With SS Bracket - Amber & Red LED/Amber & Red Lens**

**Double Face Oval Light**

- Highly polished 304 premium grade stainless steel for durability and shine
- Perfect for mirror mounted double face lights
- Recommended corresponding lights : item #38701, 39438
- 304 premium grade stainless steel bracket available separately: item #60054B
- Preinstalled LED dual function reflector amber light and red light: item #39725B, 39726B

**60055 26 LED Double Face Oval Light** 1 Pc. / Card



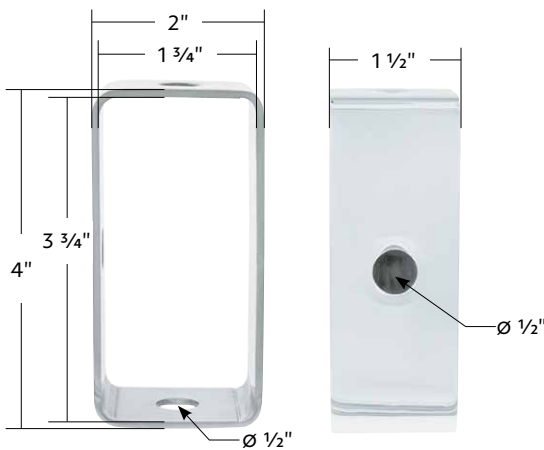
**BACK IN STOCK**

**26 LED Dual Function Reflector Double Face Oval Light With SS Bracket - Amber & Red LED/Clear Lens**

**Double Face Oval Light**

- Highly polished 304 premium grade stainless steel for durability and shine
- Perfect for mirror mounted double face lights
- Recommended corresponding lights : item #38701, 39438
- 304 premium grade stainless steel bracket available separately: item #60054B
- Preinstalled LED dual function reflector amber light and red light: item #39727B, 39728B

**60056 26 LED Double Face Oval Light** 1 Pc. / Card



**BACK IN STOCK**

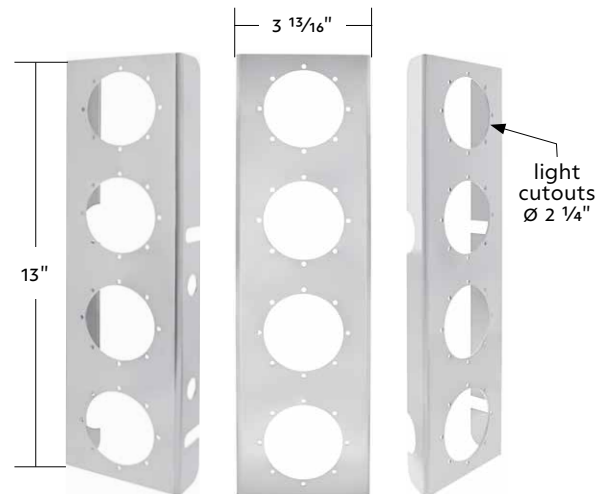
**Stainless Steel Mirror Light Bracket**

**SS Mirror Light Bracket**

- Highly polished 304 premium grade stainless steel for durability and shine
- Flexible use for vertical or horizontal mount
- Perfect for mirror mounted double face lights
- Recommended corresponding lights : item #38701, 39438 & 60042
- Dimension: 4" L X 2" W X 1-1/2" H

**60054 SS Mirror Light Bracket** 1 Pc. / Card

**60054B SS Mirror Light Bracket (Bulk)** 1 Pc. / Each



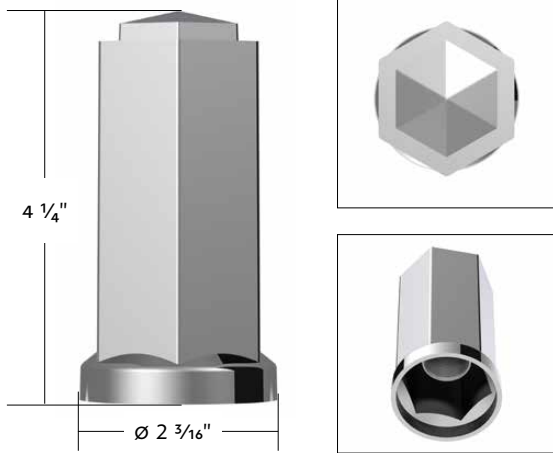
**NEW & IMPROVED!**

**430 Stainless Steel Front Air Cleaner Bracket With Four 2" Round Light Cutouts (Pair)**

**SS Front Air Cleaner Bracket**

- Beautiful polished 430 grade stainless steel
- Laser cut mounting holes for 2" round lights
- New 8-hole mounting pattern allows flexibility in how lights and bezels can be installed

**30260 SS Front Air Cleaner Bracket** 1 Pc. / Pair

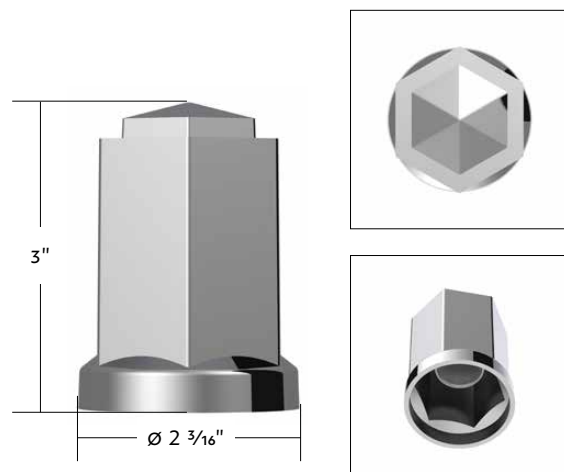


**33mm X 4-1/4" Tall Chrome Plastic Hexagon Style Thread-On Nut Cover (Bulk)**

**Thread-On Nut Cover**

- Beautiful chrome plated finish w/ triple chrome plating process
- Quality injection molded plastic for durability
- Fits over standard 33mm lug nuts on hub piloted wheels
- Designed to cover up and hide the lug nut flange washer
- A minimum of 3 threads extending through the top of each lug nut is required for proper thread engagement of nut covers
- Hexagon shape design with matching shape top cap

**10584B** 33mm x 4-1/4" Tall Hexagon Nut Cover 1 Pc. / Each

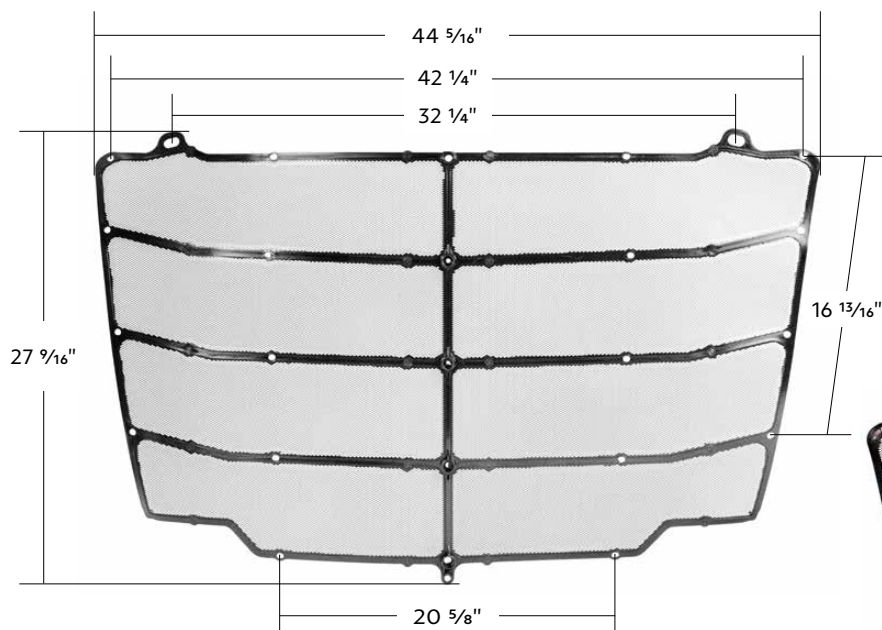


**33mm X 3" Tall Chrome Plastic Hexagon Style Thread-On Nut Cover (Bulk)**

**Thread-On Nut Cover**

- Beautiful chrome plated finish w/ triple chrome plating process
- Quality injection molded plastic for durability
- Fits over standard 33mm lug nuts on hub piloted wheels
- Designed to cover up and hide the lug nut flange washer
- A minimum of 3 threads extending through the top of each lug nut is required for proper thread engagement of nut covers
- Hexagon shape design with matching shape top cap

**10559B** 33mm x 3" Tall Hexagon Nut Cover 1 Pc. / Each



**Steel Bug Screen**

**Freightliner Cascadia (2018-2023)**

- Quality steel mesh bug screen with black painted finish
- Mounting hardware included
- Original style for easy installation

**20616** Steel Bug Screen 1 Pc. / Box



## Heavy Duty Steering Wheel Spinner - Wooden Style

### Steering Wheel Spinner-Wooden Style

- Durable ABS plastic knob with beautiful wooden pattern hydrographic
- Fits 1-1/8" to 1-5/16" diameter steering wheel grips
- Heavy duty chrome die cast clamp
- Classic design intended to reduce effort and fatigue
- Includes 2 rubber spacers to accommodate different grip diameters
- Not recommended for padded steering wheels

**70159** Steering Wheel Spinner-Wooden Style 1 Pc. / Card



## Ace Of Spades Air Valve Knob With Glossy Black Inlay

### Ace Of Spades Air Valve Knob

- Heavy duty zinc die cast, ensures strength and durability
- Easy to install with standard air valve threads
- Premium automotive paint in vibrant candy colors, bold effects and dazzling color

**23703** Matte Black w/ Glossy Black Inlay 1 Pc. / Card

**71040** Candy Red w/ Glossy Black Inlay 1 Pc. / Card

### 13/15/18 Speed



## Thread-On Daytona Style Spike Gearshift Knob With 13/15/18 Speed Adapter - Black/Vertical

### Daytona Style

- Black Daytona style spike gearshift knob, CNC-machined grip
- 13/15/18 speed gearshift adapter included
- Mounting adapter (UP Item #70777B) can be purchased separately

**70587** Gearshift Knob - Black/Vertical 1 Pc. / Card

### 13/15/18 Speed



## Thread-On Daytona Style Spike Gearshift Knob With 13/15/18 Speed Adapter - Black/Horizontal

### Daytona Style

- Black Daytona style spike gearshift knob, CNC-machined grip
- 13/15/18 speed gearshift adapter included
- Mounting adapter (UP Item #70779B) can be purchased separately

**70588** Gearshift Knob - Black/Horizontal 1 Pc. / Card



### Black Plastic Exterior Door Handle

*Isuzu NPR (1995-2007)*

- Quality reproduction of the original
- OE spec M6 x 1.0 nut inserts and latch rod retaining clips included

<b>42597B</b>	<b>Exterior Door Handle - Driver</b>	1 Pc. / Box
<b>42598B</b>	<b>Exterior Door Handle - Passenger</b>	1 Pc. / Box



### Black Plastic Exterior Door Handle

*Isuzu NPR (2008-2017)*

- Quality reproduction of the original
- OE spec M6 x 1.0 nut inserts, latch rod retaining clip, and rubber pad included

<b>42599B</b>	<b>Exterior Door Handle - Driver</b>	1 Pc. / Box
<b>42600B</b>	<b>Exterior Door Handle - Passenger</b>	1 Pc. / Box

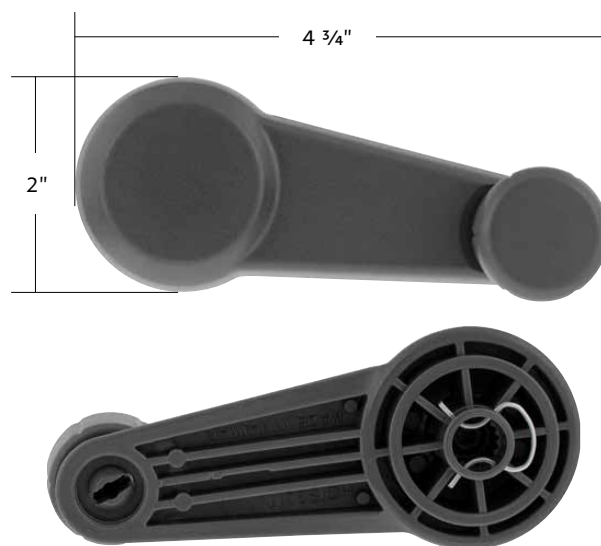


### Black Painted Steel Door Hinge

*Isuzu NPR (1995-2007) & NPR HD (2003-2007)*

- Heavy duty steel door hinge
- Original style for straight forward installation
- Sold individually, replaces upper or lower door hinge or either driver or passenger side
- Black painted finish

<b>42602B</b>	<b>Black Painted Steel Door Hinge</b>	1 Pc. / Box
---------------	---------------------------------------	-------------



### Gray Plastic Window Crank Handle

*Isuzu NPR/NPR-HD (2007-2016) & NQR (2005-2016)*

- Quality reproduction of the original
- Metal retaining clip included
- Injection molded plastic, when new the knob is difficult to rotate, it will loosen up after use

<b>42596B</b>	<b>Gray Plastic Window Crank Handle</b>	1 Pc. / Box
---------------	---	-------------



**6" X 16" West Coast Style Mirror With Stainless Steel Housing - Non Heated**

**West Coast Style**

- Universal 6" X 16" stainless steel West Coast style mirror
- Helps improve visibility and reduce accidents

**60007 6" X 16" SS West Coast Style Mirror** 1 Pc. / Cbox



**7" X 16" West Coast Style Mirror With Stainless Steel Housing - Non Heated**

**West Coast Style**

- Highly polished 430 stainless steel
- Large mirror surface helps improve visibility & reduces accidents
- 5/16" Mounting studs with fasteners included

**60028 7" X 16" SS West Coast Style Mirror** 1 Pc. / Cbox



**8-1/2" 430 Stainless Steel Convex Heated Mirror With LED**

**Convex Heated Mirror**

- 430 stainless steel for durability and shine
- Heated function to get on road quicker & safer in cold weather
- Quality convex mirror glass for wide angle vision
- Large amber LED turn signal light mounted on housing
- LED directional arrow for safety and visibility when changing lanes (wiring required)
- Included with attached 7' long wiring lead
- Easy to install w/ included SS mounting bracket & pivoting arm

**86505 8-1/2" SS Convex Heated Mirror-Driver** 1 Pc. / Cbox

**86506 8-1/2" SS Convex Heated Mirror-Passenger** 1 Pc. / Cbox



**8-1/2" 430 Stainless Steel Heated 320R Convex Mirror - Offset Mounting Stud**

**Convex Heated Mirror**

- 430 stainless steel housing for durability and shine
- 320R contour radius convex mirror glass
- Features heated lens function, wiring required
- Helps to improve visibility and reduce accidents
- Universal application, left or right hand installation
- Offset mounting stud with bracket

**60025 8-1/2" SS Heated 320R Convex Mirror** 1 Pc. / Cbox





**Chrome Middle Steering Column Cover**

**Kenworth W900/T800 (1986-2002) & Peterbilt 379/378 (1994-1997)**

- Quality injection molded plastic for durability
- Beautiful triple chrome plated finish
- Easy install with original mounting hole positions
- Also fits Kenworth T600 (1986-1993)

**40907 Chrome Middle Steering Column Cover 1 Pc. / Cbox**



**Chrome Plastic Steering Column Cover**

**Coronado (2007+), Columbia (2007-2017), And Century (2007-2011)**

- Beautiful chrome plated finish w/ triple chrome plating process
- Quality injection molded plastic for durability
- Original style 2-piece design
- Easy install with original mounting hole positions

**42056 Chrome Plastic Steering Column Cover 1 Pc. / Each**



**13" Long Plastic Lug Nut Socket Tool For Plastic Nut Covers**

**For Plastic Nut Covers**

- 13" plastic lug nut cover socket for plastic lug nuts
- Facilitates the installation and removal of chrome plastic lug nut covers

**10506 13" Long Plastic Lug Nut Socket Tool 1 Pc. / Each**



**Universal Stainless Steel Pod Mount Convex Mirror**

**Universal Fit**

- Heavy duty stainless steel construction
- 8-1/2" round mirror with convex mirror glass
- Universal application, pod mount allows installation on any flat surface
- Arm extends and retracts for multiple viewing angles

**60038 Universal SS Pod Mount Convex Mirror 1 Pc. / Cbox**